

# "Y" STRAINER

# Model F0511-175 Cast Iron



**LISTED**  
for Fire Lines

**Specification:**

- Flange drilling to ANSI B16.1 Class 125
- NPT or BSPT blowoff outlet on cover (blowoff outlets are furnished with plugs)
- Recessed seat in body assures accurate screen alignment

**Working Pressure:**

- 175 psi (12 bars)

**Working Temperature:**

- 14°F to 248°F (-10°C to 120°C)

**Corrosion Protection:**

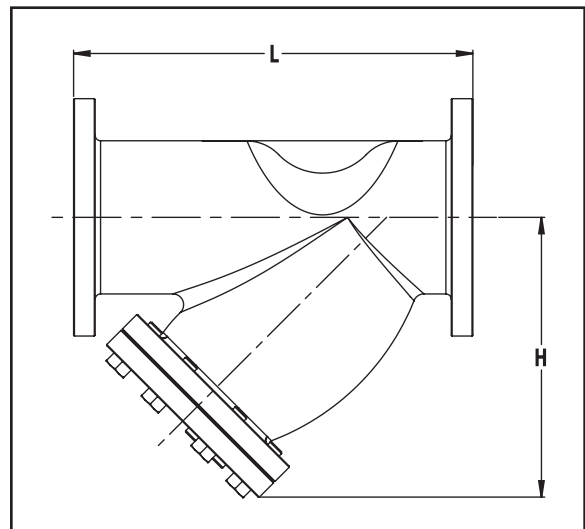
- Fusion bonded epoxy coated Interior and Exterior (FBE). Epoxy powder certified to NSF-61.

### STANDARD SCREENS

Size	Hole Diameter	Free Flow Area
2 -1/2"	0.12"	53.6%
3" - 5"	0.17"	46.3%
6" - 10"	0.24"	54.5%
12"	0.25"	57.2%

### LIST OF MATERIALS

Part	Material	ASTM SPEC.
Body	Cast Iron	A126 Class B
Cover	Cast Iron	A126 Class B
Screen	Stainless Steel	AISI 304
Gasket	EPDM	EPDM
Plug	Cast Iron	A126 Class B
Bolts	Carbon Steel	Grade 8.8



### DIMENSIONS

Size	2.5"	3"	4"	5"	6"	8"	10"	12"
<b>Part No.</b>	<b>F0511-175-125</b>	<b>F0511-175-130</b>	<b>F0511-175-140</b>	<b>F0511-175-150</b>	<b>F0511-175-160</b>	<b>F0511-175-180</b>	<b>F0511-175-200</b>	<b>F0511-175-220</b>
<b>L</b>	10-3/4	11-5/8	13-7/8	16-3/8	18-1/2	21-3/8	26	30-5/16
<b>H</b>	5-5/16	8-1/2	9-5/8	11-5/8	12-5/8	16-3/8	19-1/8	22-1/16
<b>Plug</b>	1"	1"	1"	1-1/4"	1-1/2"	1-1/2"	2"	2"
<b>Weight Lbs.</b>	31	38	71	105	138	237	386	558

Dimensions in Inches  
Design and materials are subject to change without notice.



**WARNING:** This product can expose you to chemicals including lead, which is known to the State of California to cause cancer and birth defects or other reproductive harm. For more information go to [www.P65Warnings.ca.gov](http://www.P65Warnings.ca.gov).



**United Water Products**  
8710 Air Park West Drive, Charlotte, NC 28214  
TEL. 877-766-4459  
Website: [www.unitedwaterproducts.com](http://www.unitedwaterproducts.com)